

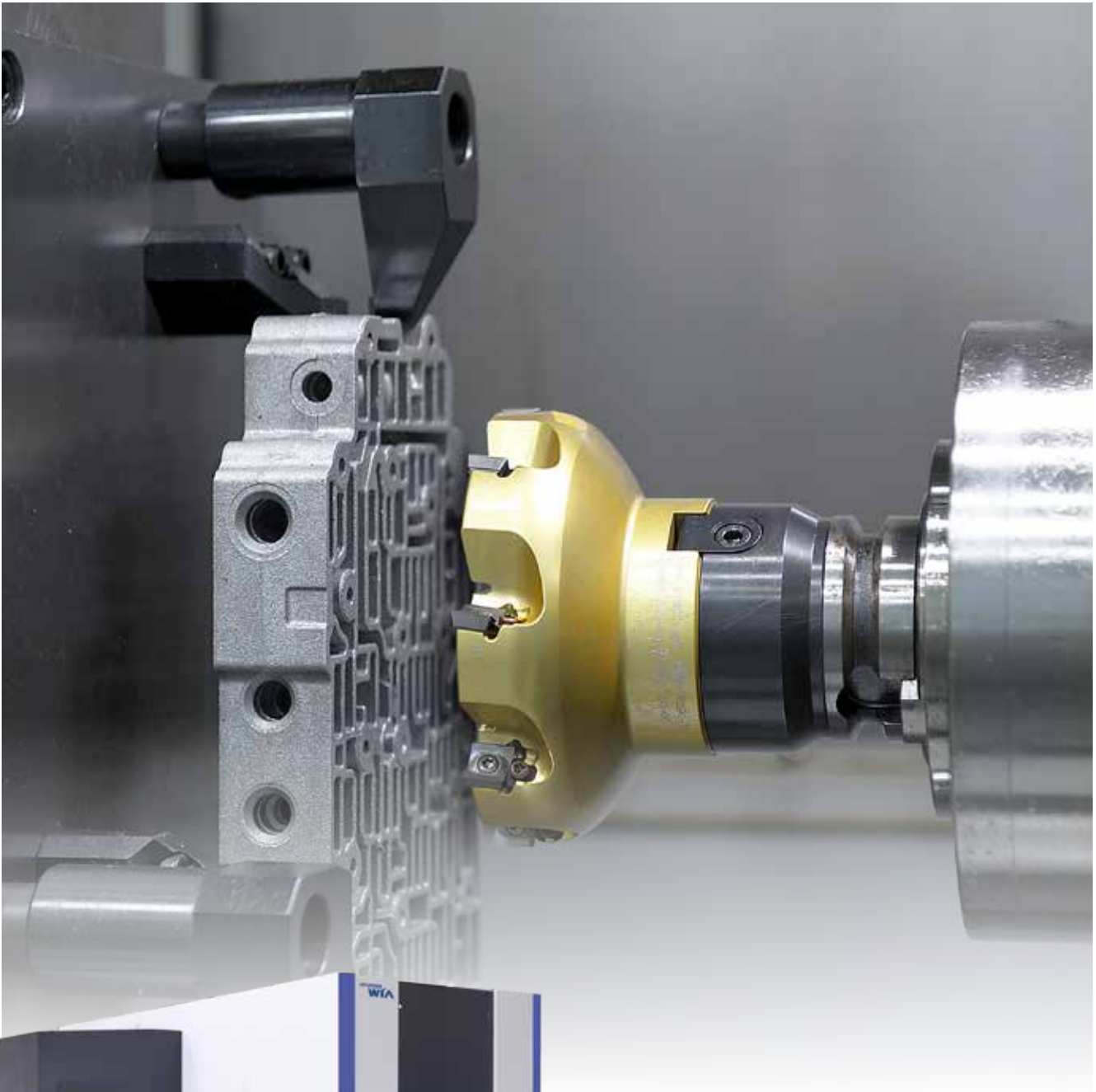
XH6300

HYUNDAI WIA High Speed Horizontal Machining Center



Technical Leader

Horizontal Machining Center XH6300, designed by HYUNDAI WIA with years of expertise and the latest technology, provides high speed, high performance and maximum productivity.



XH6300

Pallet Size	mm(in)	2-630×630 (2-24.8"×24.8")
Max. Load Capacity	kg(lb)	2-1,500 (2-3,307)
Spindle Taper	-	BIG PLUS #50 [HSK-A100]
Spindle RPM	r/min	10,000 [16,000]
Spindle Output	kW(HP)	60 [40]
Travel(X/Y/Z)	mm(in)	1,050/900/1,000 (41.3"/35.4"/39.4")

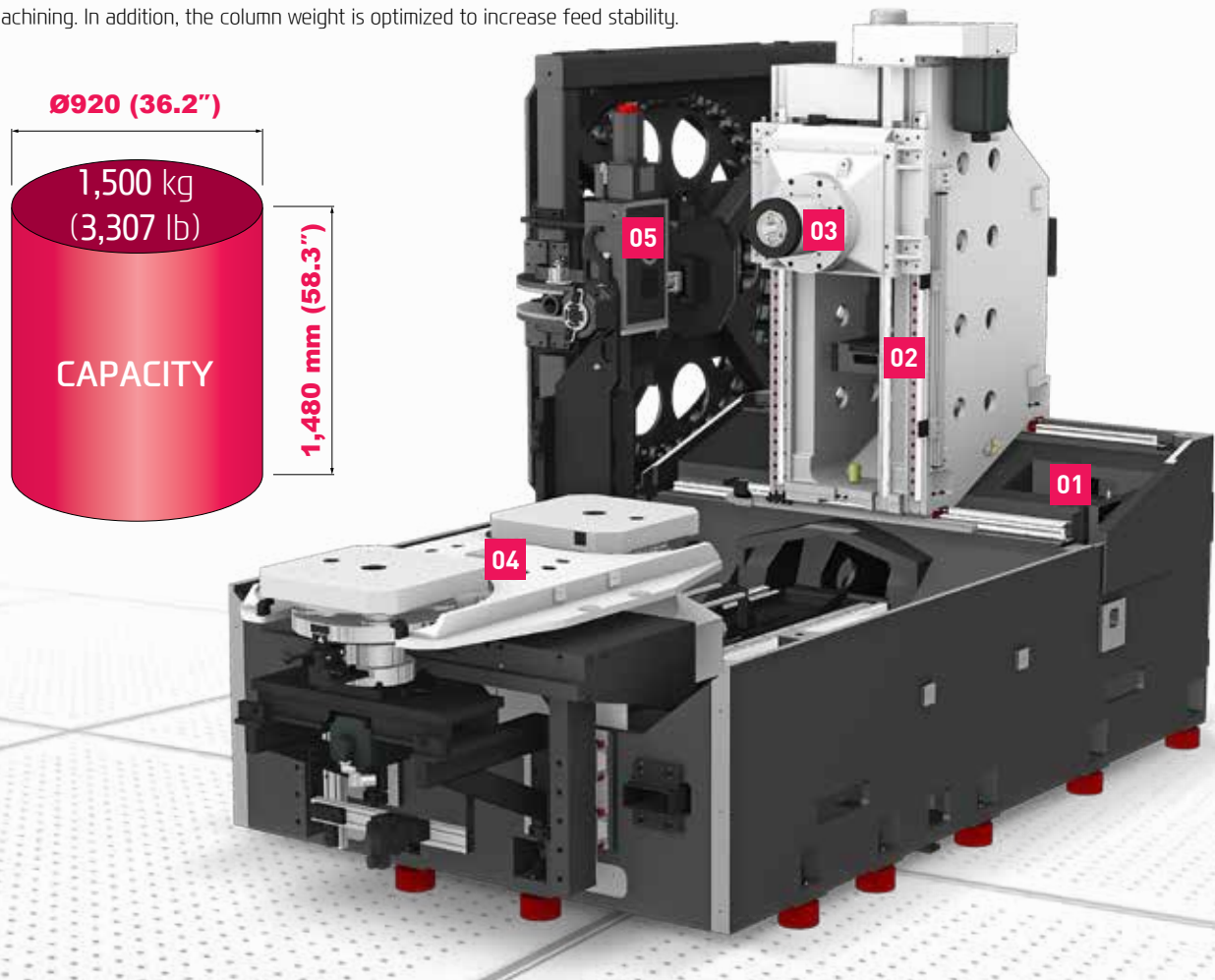
01 Basic Features

XH6300

The Most Advanced Mechanism,
Revolutionized Productivity & High Performance

01 Step Type Bed Structure

The column feed of the bed is designed in the step type to minimize load from the front during the product machining. In addition, the column weight is optimized to increase feed stability.



Optimized Structural Analysis

Through HYUNDAI WIA's unique structural analysis, the XH6300 is optimally designed for increased rigidity while reducing heat displacement and machine vibration.

- ◎ Max. Cutting Dia. : Ø920 (36.2")
- ◎ Max. Cutting Height : 1,480 mm (58.3")
- ◎ Max. Load Capacity : 1,500 kg (3,307 lb)

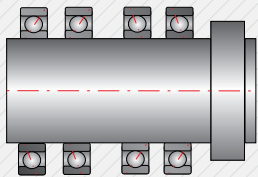
02 High-Precision Spindle

Cutting Edge Design & Optimized Cutting Condition
Horizontal Machining Center

XH6300

02 Built-in Spindle

The built-in main spindle minimizes vibration and heat during high speed rotation and achieves fast acceleration/deceleration.

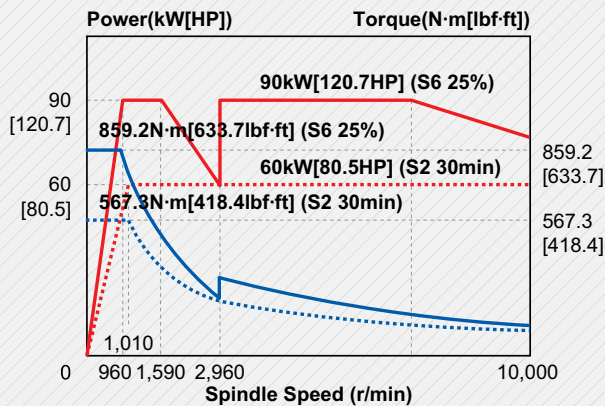


Oil+Air Lubrication

Improved Cutting Capacity

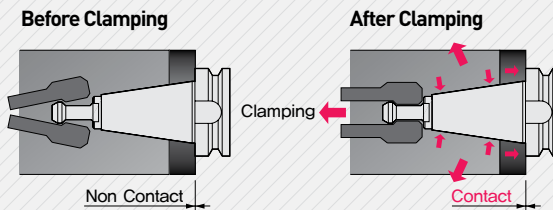
Previous Machine 600 cc/min

XH6300 1,981 cc/min 230% UP



Dual Contact Spindle

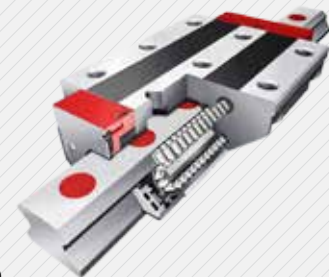
The Big Plus spindle system (BBT#50) provides dual contact between the spindle face and the flange face of the tool holder.



High-Speed Roller Guideway

XH6300 applies large linear roller guideways to reduce non-cutting time and bring high rigidity..

- Realization of acc./dec. in the level of 1G
- Travel (X/Y/Z axis) : 1,050/900/1,000 mm (41.3"/35.4"/39.4")
- Rapid Traverse Rate (X/Y/Z axis) : 60/60/60 m/min (2,362/2,362/2,362 ipm)



03

03

XH6300

APC, ATC & Control Panel

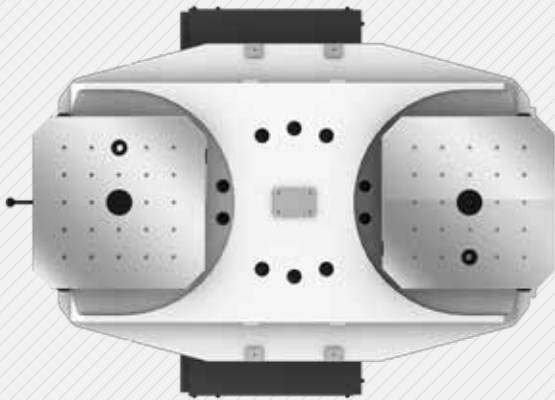
High Speed, High Precision, High Reliability
Horizontal Machining Center

04 APC & Pallet

XH6300 provides a lift rotary type APC(automatic pallet changer) as standard. The loading station pallet can be rotated and locked in 90° increments for convenient loading/unloading of workpieces.

APC Changing Time Shorten

Previous Machine	16 sec
XH6300	9.8 sec 6.2 sec Reduction



Centralized Control Panel

The control panel with joints minimizes the operator's unnecessary movements, depending on the worker's position, with the excellent operating performance. In addition, visibility is more reinforced by adopting a large monitor in 19".

05

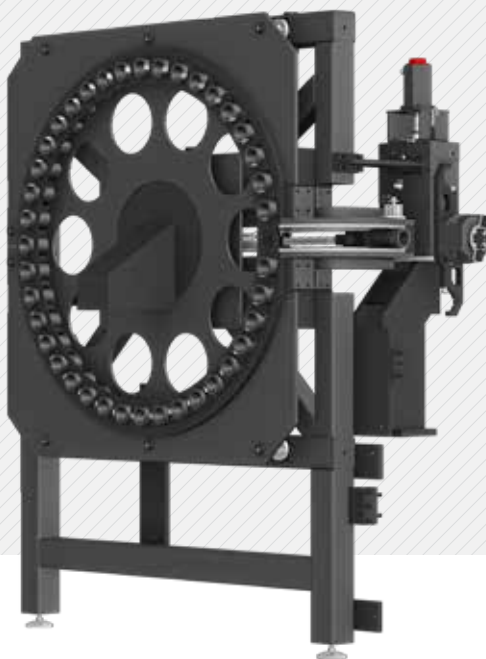
ATC & Magazine

The ring type tool magazine holds 40 tools as standard and up to max. 340 tools as an option depending on the model. Servo control, fixed address tool selection method and a separate magazine control panel enhance user convenience. The twin arm ATC provides fast and reliable tool change to reduce noncutting time.

Tool Shank : **BBT #50 [HSK-A100]**

Tool Changing Time Shorten (C-C)

Previous Machine	7.5 sec
XH6300	4.2 sec 3.3 sec Reduction



SPECIFICATIONS

Specifications

ITEM			XH6300
Pallet	Pallet Size (L×W)	mm(in)	2-630×630 (24.8"×24.8")
	Maximum Load Capacity	kg(lb)	2-1,500 (3,307)
Spindle	Spindle Taper	-	BIG PLUS #50 [HSK-A100]
	Spindle RPM	r/min	10,000 [16,000]
	Spindle Driving Method	-	BUILT-IN
	Spindle Motor Output (Max./Cont.)	kW(HP)	90/60 (120.7/80.5)
	Spindle Torque (Max./Cont.)	N·m(lbf·ft)	895.2/567.3 (660.3/418.4)
Feed	Travel (X/Y/Z)	mm(in)	1,050/900/1,000 (41.3"/35.4"/39.4")
	Rapid Traverse Rate (X/Y/Z)	m/min(ipm)	60/60/60 (2,362/2,362/2,362)
	Slide Type	-	ROLLER
ATC	Number of Tools	ea	40 : Ring Type [60, 90, 120 : Chain] [160, 180, 240, 348 : Matrix]
	Tool Shank	-	BBT #50 [HSK-A100]
	Max. Tool Dia. (W.T/W.O)	mm(in)	∅125/∅320 (4.9"/12.6")
	Max. Tool Length	mm(in)	630 (24.8")
	Max. Tool Weight	kg(lb)	25 (55)
	Tool Selection Method	-	FIXED
	Tool Change Time	T-T	sec
C-C		sec	4.2
APC	APC Type	-	LIFT ROTARY
	Pallet Change Time	sec	9.8
MACHINE	Floor Space (L×W)	mm(in)	4,539×7,890 (178.7"×310.6")
	Height (H)	mm(in)	3,689 (145.2")
	Weight	kg(lb)	20,000 (44,092)
PC	Controller	-	SIEMENS 840D sl

Specifications are subject to change without notice for improvement.

External Dimensions

unit : mm(in)

